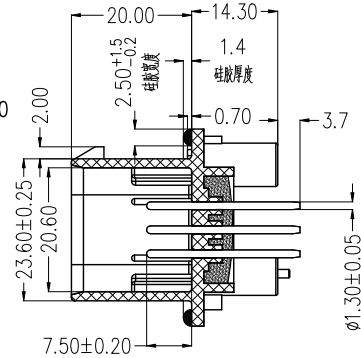
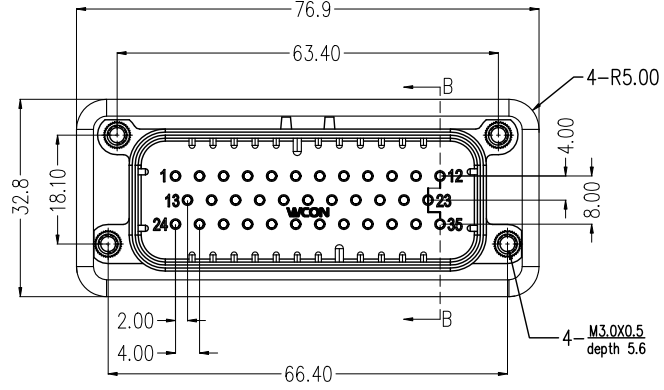


NOTES:

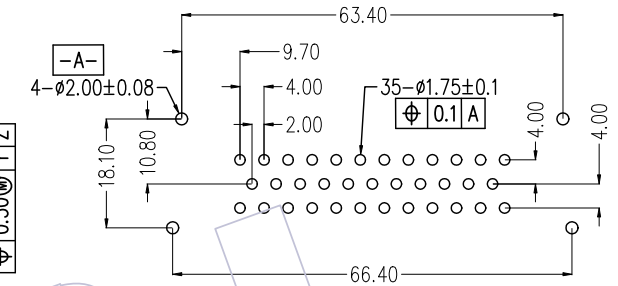
- Rated Current: 5-8A
- Rated Voltage: 250V AC
- Contact Resistance: 10mΩ Max.
- Withstand Voltage: 1000V
- Insulation Resistance: 5000MΩ Min.
- Operation Temperature:
 Tin Plating: -40℃ to +125℃
 Gold Plating: -40℃ to +125℃

- Contact Material: Copper Alloy
- Contact Plating: Sn or Au over Ni
- Main Body Material: PBT+30%GF Black

Waterproof grade: IP68/IP69K(After installation)



Recommended P.C.B Layout(Top Side)
 (PCB BOARD TOLERANCE±0.05 T=1.50mm)

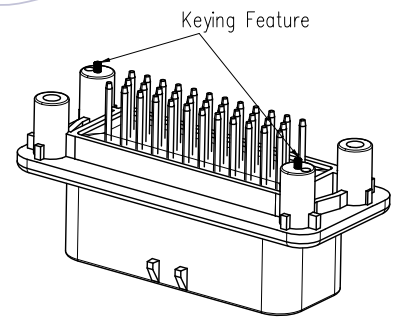
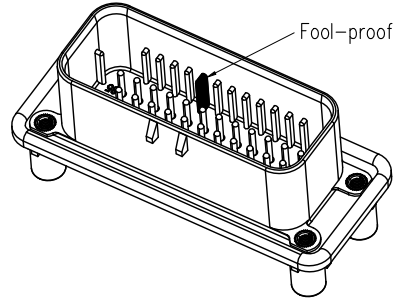
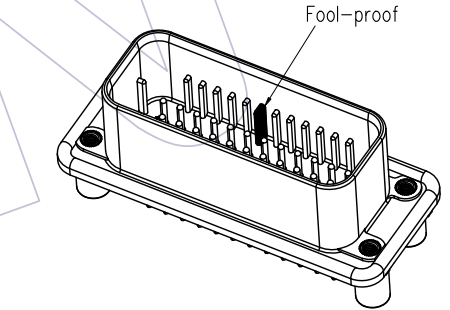
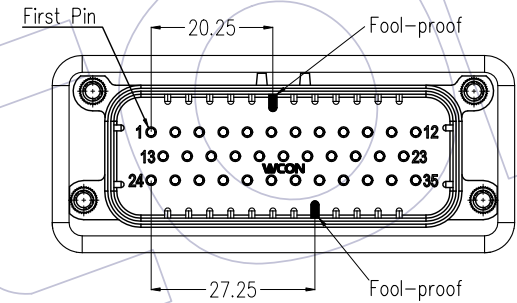
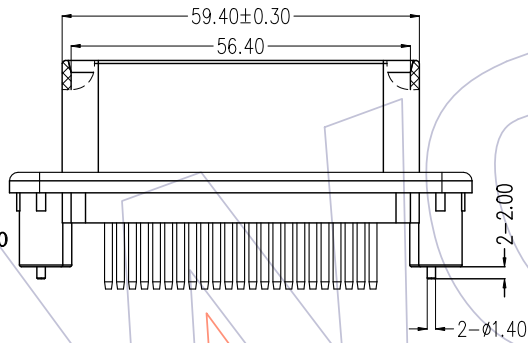


Ordering Information

74040-3MS 035 **A B XX J A 1 W**

- Body Material: A=PBT
- Contact Material: B=Brass
- A-Tray W=W/T LOGO
Blank=W/O LOGO
- Contact Plating: GO=1u" Gold
G3=10u" Gold
SN=Sn
SM=Matte Sn

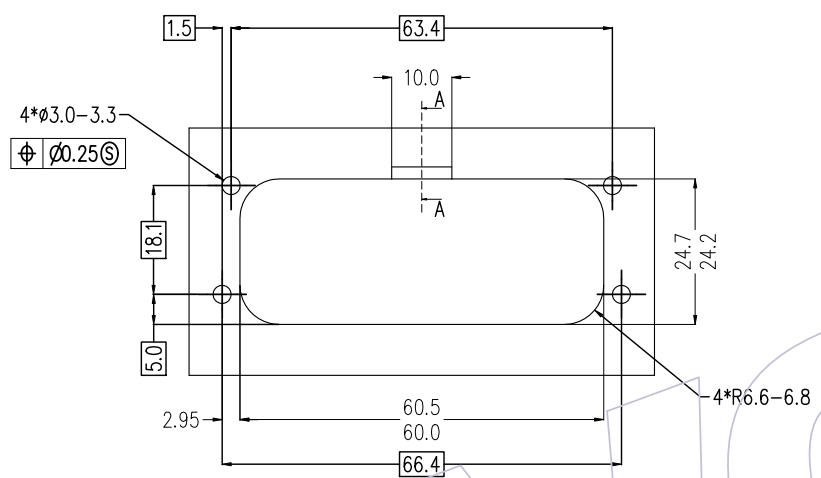
Matched Female Number
74040-3FC035AN00WA1(W) ⚠



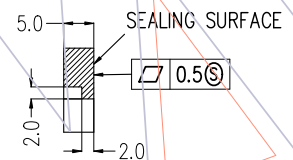
REV	DATE	MODIFICATION DESCRIPTION	CHANGE	OPERATION	DRAW	DATE	SCALE	PART NO.
A2	2020/08/03	Modify	ZXC	x.x ±0.40	ZXC	2020/08/03	1:1	74040-3MS035ABXXJA1(W) ⚠
A1	2020/03/06	Modify	XSR	x.xx ±0.25	CHECK	DATE	UNIT mm	TITLE: 35P 180° Three row automobile vaterproof connector (Upgraded Version)
AO	2019/04/23	NEW	---	x.xxx ±0.15	APPROVE	DATE	SIZE A4	Customer NO.
				Angle ± 3'			SHEET 1/2	
				DIM TOL			PROJ. ⌀	

Http: www.wcon.com

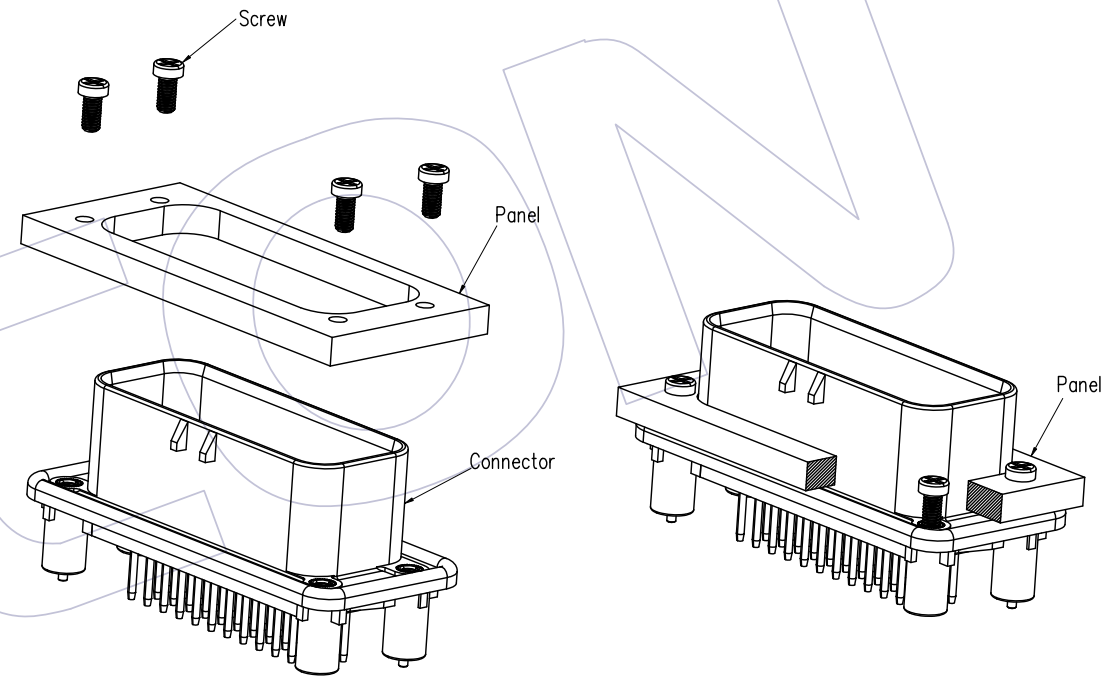
<p>WCON-Dongguan Tel: +86 769 85358920 Fax: +86 769 85358915 E-mail: sales@wcon.com</p>	<p>WCON-Kunshan Tel: +86 512 57468408 Fax: +86 512 57468468 E-mail: salesks@wcon.com</p>
---	--



RECOMMENDED MOUNTING HOLE LAYOUT FOR 5.0 MAX THICK PANEL (35PIN)



OPTIONAL CONSTRUCTION IF PANEL THICKNESS IS GREATER THAN 2.0



Explosion View

REV	DATE	MODIFICATION DESCRIPTION	CHANGE	OPERATION	DRAW	DATE	SCALE	PART NO.
A2	2020/08/03	Modify	ZXC	x.x ±0.40	ZXC	2020/08/03	1:1	74040-3MS035ABXXJA1(W)
A1	2020/03/06	Modify	XSR	x.xx ±0.25	CHECK	DATE	UNIT mm	TITLE: 35P 180° Three row automobile waterproof connector (Upgraded Version)
A0	2019/04/23	NEW		x.xxx ±0.15	APPROVE	DATE	SIZE A4	Customer NO.
				Angle ± 3°			SHEET 2/2	
				DIM TOL			PROJ.	

WCON
 Http: www.wcon.com
 WCON-Dongguan Tel: +86 769 85358920
 WCON-Kunshan Tel: +86 512 57468408
 Fax: +86 769 85358915 Fax: +86 512 57468468
 E-mail: sales@wcon.com E-mail: salesks@wcon.com