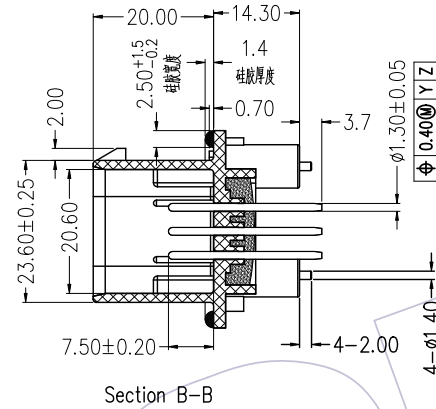
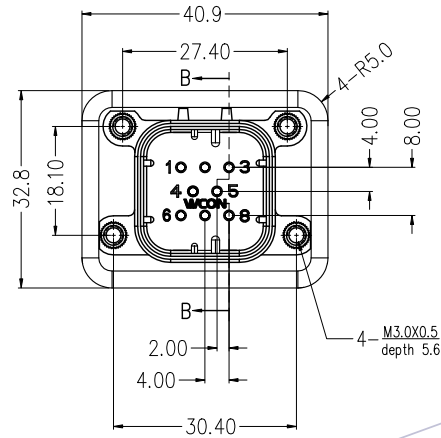
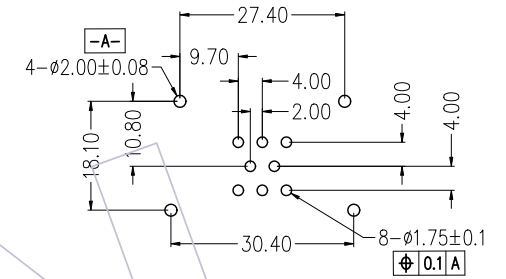


NOTES: \triangle

Rated Current: 5-8A
 Rated Voltage: 250V AC
 Contact Resistance: 10m Ω Max.
 Withstand Voltage: 1000V
 Insulation Resistance: 5000M Ω Min.
 Operation Temperature:
 Tin Plating: -40 $^{\circ}$ C to +125 $^{\circ}$ C
 Gold Plating: -40 $^{\circ}$ C to +125 $^{\circ}$ C
 Contact Material: Copper Alloy
 Contact Plating: Sn or Au over Ni
 Main Body Material: PBT+30%GF Black
 Waterproof grade: IP68/IP69K(After installation)



Recommended P.C.B Layout(Top Side)
 (PCB BOARD TOLERANCE ± 0.05 T=1.50mm)



Ordering Information

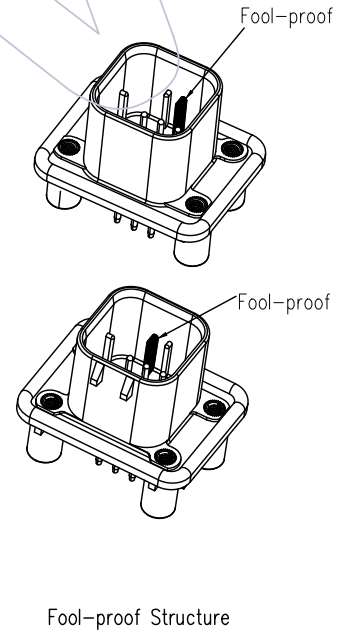
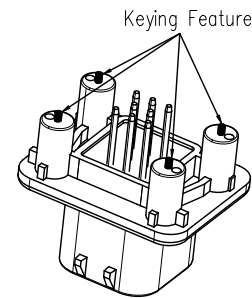
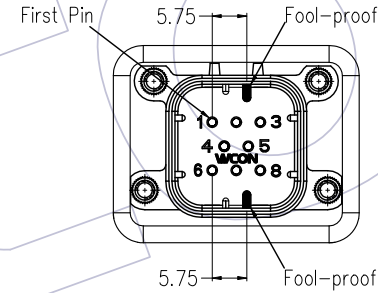
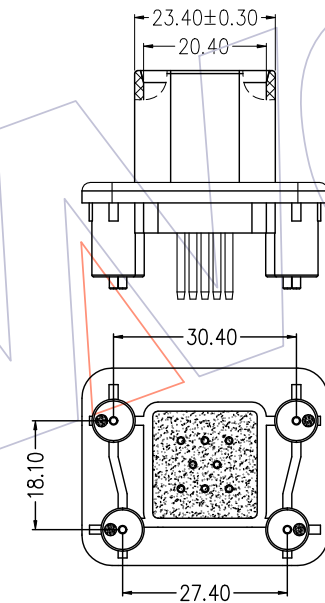
74040-3MS 008 A B XX J A 1 W

Contact Material:
 B=Brass
 A=Tray

Body Material:
 A=PBT

Contact Plating:
 G0=1u" Gold
 G3=10u" Gold
 SN=Sn
 SM=Matte Sn

Matched Female Number
 74040-3FC008AN00WA1W

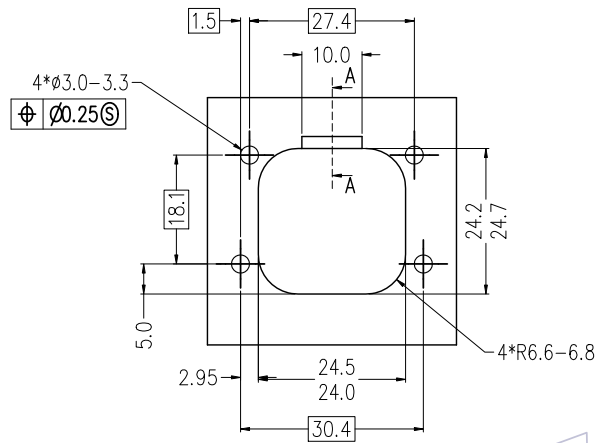


				OPERATION	DRAW	DATE	SCALE	PART NO.
				x.x ±0.40	ZXC	2020/08/03	1:1	74040-3MS008ABXXJA1W
A1	2020/08/03	Modify		x.xx ±0.25	CHECK	DATE	UNIT	TITLE: 8P 180° Three row automobile
AO	2019/04/23	NEW		x.xxx ±0.15	APPROVE	DATE	SIZE	waterproof connector
REV	DATE	MODIFICATION DESCRIPTION	CHANGE	Angle ± 3°			SHEET	(Upgraded Version)
				DIM TOL			1/2	Customer NO.
							PROJ.	

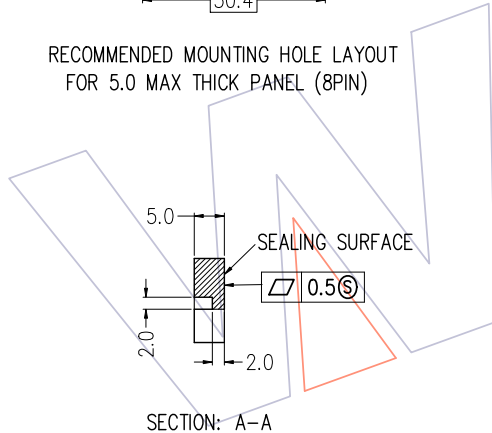
WCON
 Http: www.wcon.com

WCON-Dongguan
 Tel: +86 769 85358920
 Fax: +86 769 85358915
 E-mail: sales@wcon.com

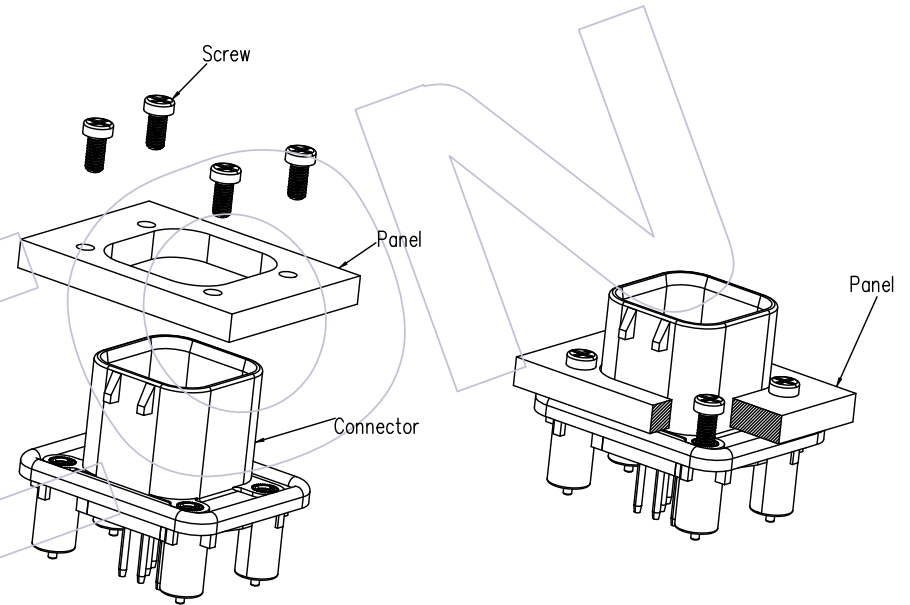
WCON-Kunshan
 Tel: +86 512 57468408
 Fax: +86 512 57468468
 E-mail: salesks@wcon.com




RECOMMENDED MOUNTING HOLE LAYOUT FOR 5.0 MAX THICK PANEL (8PIN)



OPTIONAL CONSTRUCTION IF PANEL THICKNESS IS GREATER THAN 2.0



Explosion View

				OPERATION	DRAW	DATE	SCALE	1:1	PART NO.	 Http: www.wcon.com
				x.x ±0.40	ZXC	2020/08/03	UNIT	mm	74040-3MS008ABXXJA1W	
A1	2020/08/03	Modify		x.xx ±0.25	CHECK	DATE	SIZE	A4	TITLE: 8P 180° Three row automobile waterproof connector (Upgraded Version)	WCON-Dongguan Tel: +86 769 85358920 WCON-Kunshan Tel: +86 512 57468408 Fax: +86 769 85358915 E-mail: sales@wcon.com
AO	2019/04/23	NEW		x.xxx ±0.15	APPROVE	DATE	SHEET	2/2	Customer NO.	
REV	DATE	MODIFICATION DESCRIPTION	CHANGE	Angle ± 3°			PROJ.			
				DIM TOL						