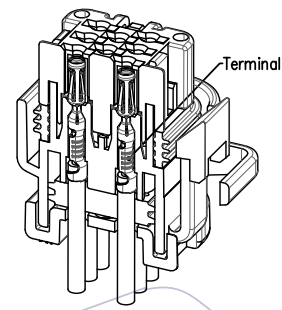
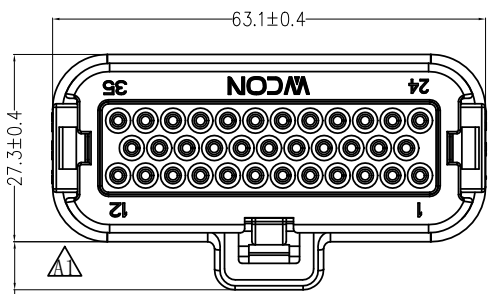
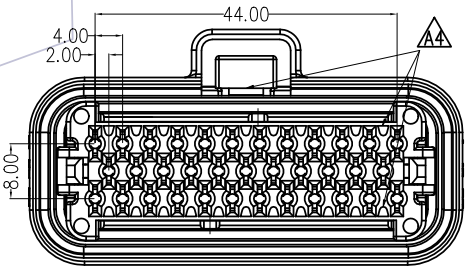
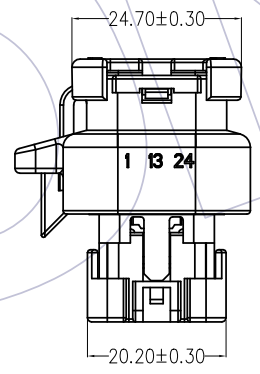
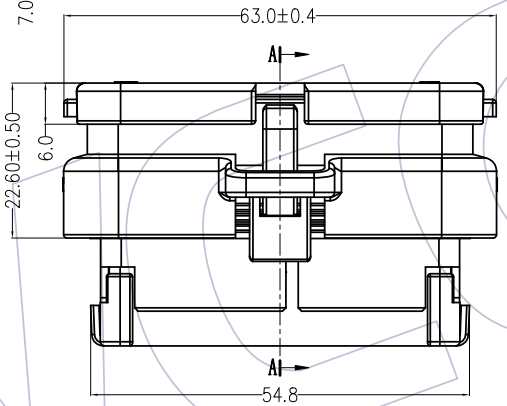
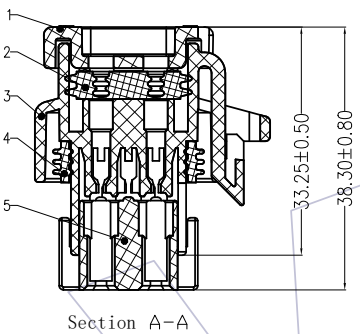
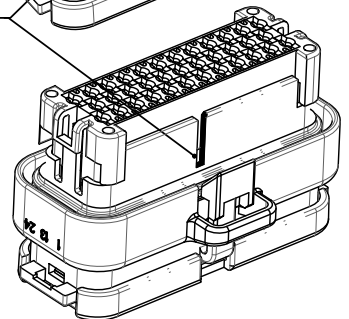
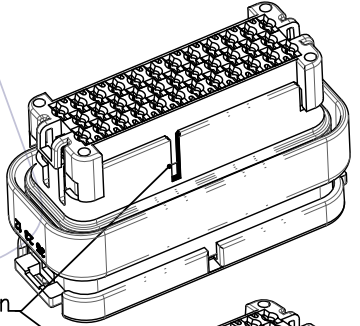


NOTES:
 No.of Positions: 35 Pin
 Housing Material: PBT
 Wire Size Range: 20-16AWG(1.0-1.5mm²)
 Operation Temperature: -40°C to +125°C
 Waterproof grade:IP68/IP69K(After installation)



| Serial Number | Part Name | Material | Consumption |
|---------------|-----------------------|----------------|-------------|
| 1 | Line end shell | PBT / BLACK | 1 |
| 2 | Line end sealing ring | Silicon rubber | 1 |
| 3 | Main body | PBT / BLACK | 1 |
| 4 | Main sealing ring | Silicon rubber | 1 |
| 5 | Lock cover | PBT / RED | 1 |



Ordering Information

74040-3FC 035 A N 00 W A 1 W

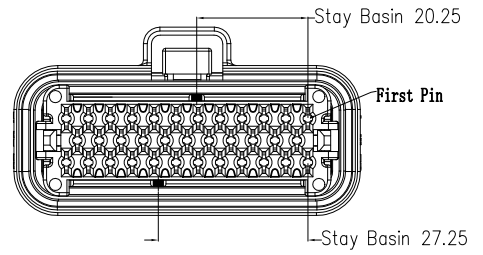
No. of Pins:
035=35P

Body Material:
A=PBT

A=Tray W=W/T WCON LOGO
Blank=W/O LOGO

Matched Plug Number:

| |
|-------------------------|
| 74040-3MS035ABXXNA1 (W) |
| 74040-3MS035ABXXJA1 (W) |
| 74040-3MR035ABXXNA1 (W) |
| 74040-3MR035ABXXJA1 (W) |



| REV | DATE | MODIFICATION DESCRIPTION | CHANGE | DIM | TOL | OPERATION | DRAW XSR | DATE | SCALE | FIT | PART NO. |
|-----|------------|--------------------------|--------|-----|-------|-----------|----------|------------|-------|-----|--|
| A4 | 2021/08/18 | Modify | --- | | | OPERATION | | 2021/08/18 | | | 74040-3FC035AN00WA1 (W) |
| A3 | 2019/12/03 | Modify | --- | | ±0.40 | CHECK | | | | | TITLE: 4.0X4.0 three row car connector line end 35P socket |
| A2 | 2019/03/18 | Modify | --- | | ±0.25 | | | | | | Customer NO. |
| A0 | 2018/09/01 | NEW | --- | | ±0.15 | APPROVE | | | | | |

WCON
 Http: www.wcon.com

WCON-Dongguan Tel: +86 769 85358920 Fax: +86 769 85358915 E-mail: sales@wcon.com

WCON-Kunshan Tel: +86 512 57468408 Fax: +86 512 57468468 E-mail: salesks@wcon.com