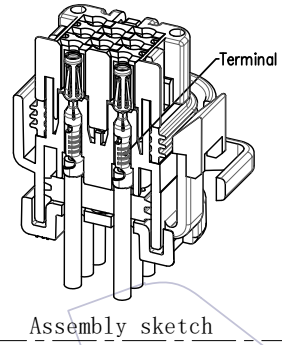
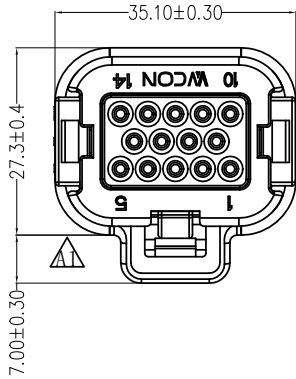
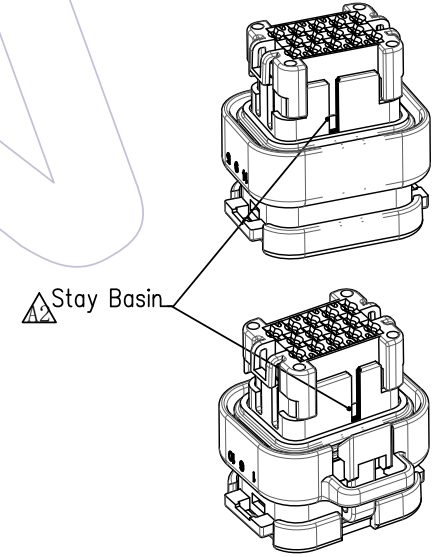
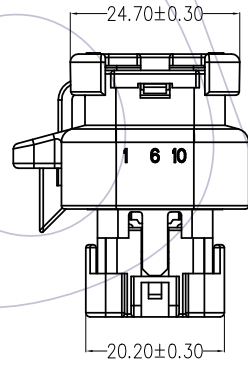
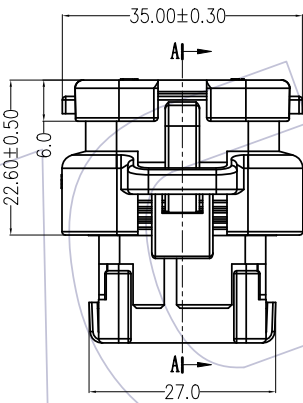
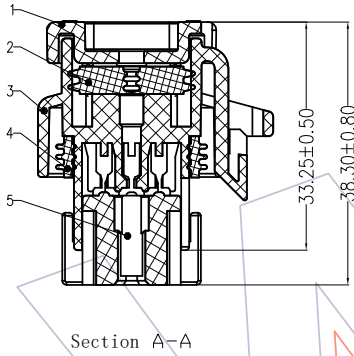


NOTES:
 No. of Positions: 14 Pin
 Housing Material: PBT
 Wire Size Range: 20-16AWG(1.0-1.5mm²)
 Operation Temperature: -40℃ to +125℃
 Waterproof grade: IP68/IP69K(After installation)



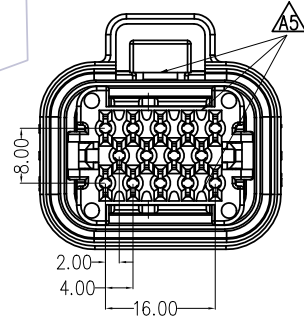
Serial Number	Part Name	Material	Consumption
1	Line end shell	PBT / BLACK	1
2	Line end sealing ring	Silicon rubber	1
3	Main body	PBT / BLACK	1
4	Main sealing ring	Silicon rubber	1
5	Lock cover	PBT / RED	1



Ordering Information

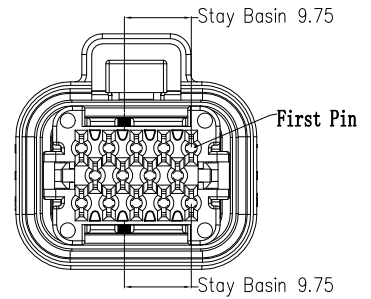
74040-3FC 014 A N 00 W A 1 X Δ_3

No. of Pins: 014=14P
 Body Material: A=PBT
 A=Tray
 W= W/T WCON LOGO
 Blank= W/O LOGO Δ_3



Matched Plug Number:

74040-3MS014ABXXNA1 (W)
74040-3MS014ABXXJA1 (W)
74040-3MR014ABXXNA1 (W)
74040-3MR014ABXXJA1 (W)



REV	DATE	MODIFICATION DESCRIPTION	CHANGE	DIM	TOL	OPERATION	DRAW XSR	DATE	SCALE	FIT	PART NO.
A5	2021/08/18	Modify	---			OPERATION		2021/08/18			74040-3FC014AN00WA1(W) Δ_3 Δ_4
A4	2019/12/02	74040-3FC014AN00WA1N-74040-3FC014AN00WA1	---		±0.40	CHECK					TITLE: 4.0X4.0 three row car connector line end 14P socket
A3	2019/08/28	ADD W/O LOGO SPEC. & P/N	---		±0.25						Customer NO.
A0	2018/09/01	NEW	---		±0.15						
					± 3'	APPROVE					

WCON
 Http: www.wcon.com

WCON-Dongguan Tel: +86 769 85358920 Fax: +86 769 85358915 E-mail: sales@wcon.com

WCON-Kunshan Tel: +86 512 57468408 Fax: +86 512 57468468 E-mail: salesks@wcon.com