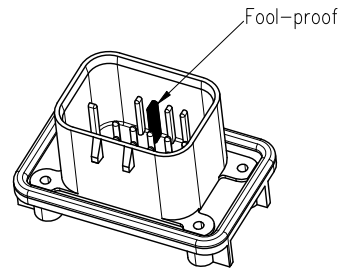
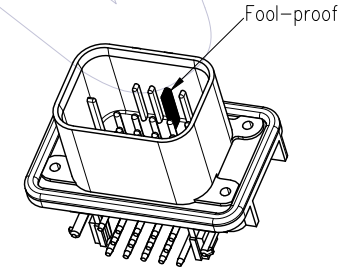
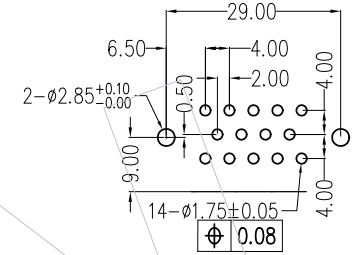
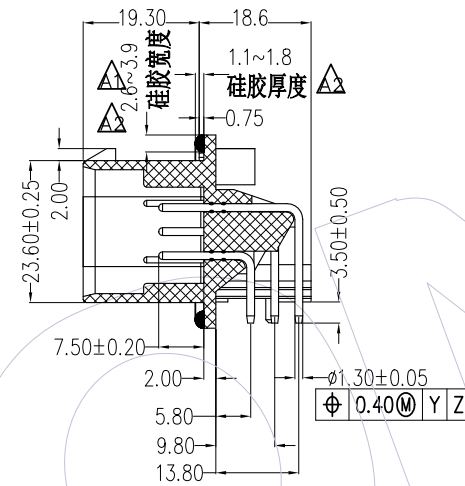
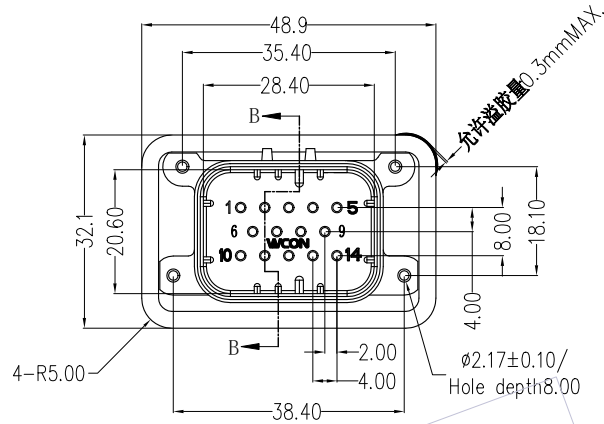


NOTES:  
 Rated Current: 5-8A  
 Rated Voltage: 250V AC  
 Contact Resistance: 10mΩ Max.  
 Withstand Voltage: 1000V  
 Insulation Resistance: 5000MΩ Min.  
 Operation Temperature:  
 Tin Plating: -40℃ to +125℃  
 Gold Plating: -40℃ to +125℃  
 Contact Material: Copper Alloy  
 Contact Plating: Sn or Au over Ni  
 Main Body Material: PBT+30%GF Black

Waterproof grade: IP68/IP69K(After installation)

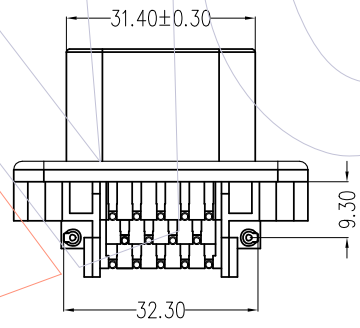
Recommended P.C.B Layout(Top Side)  
 (PCB BOARD TOLERANCE±0.05 T=1.50mm)



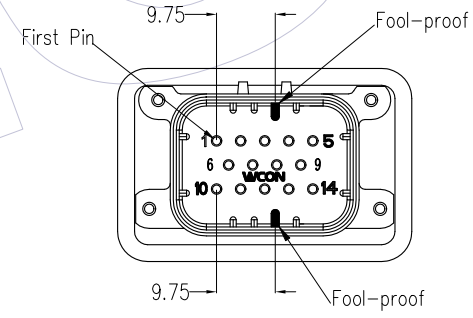
Ordering Information

74040-3MR 014 A B XX N A 1 W

Contact Material:  
 B=Brass  
 A=Tray  
 W=7/T LOGO  
 Blank=V/O LOGO  
 Body Material:  
 A=PBT  
 Contact Plating:  
 G0=1u" Gold  
 G3=10u" Gold  
 SN=Sn  
 SM=Matte Sn



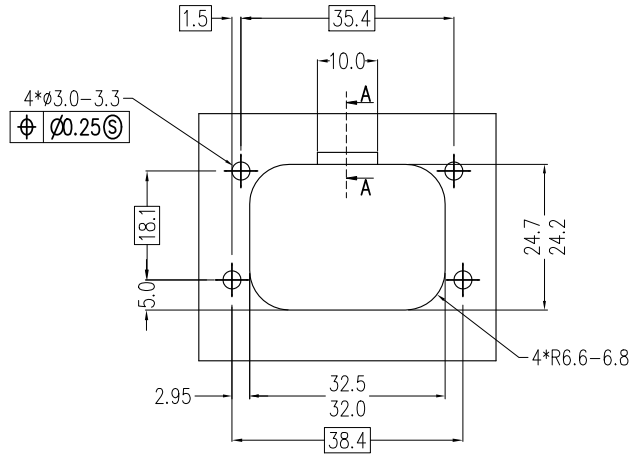
Section B-B



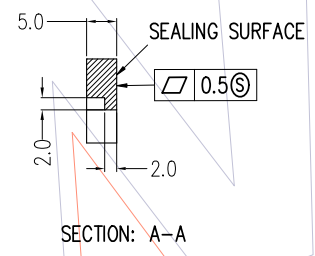
Matched Female Number  
 74040-3FC014AN00WA1(W)

A5	2019.12.03	Modify	OPERATION	DRAW	DATE	SCALE	1:1	PART NO. 74040-3MR014ABXXNA1(W) A A5
A4	2019.04.16	Modify	x.X ±0.40	XSR	2019.12.03	UNIT	mm	
A3	2018.11.23	Modify	x.XX ±0.25	CHECK	DATE	SIZE	A4	TITLE: 车用防水型14P插座90度
A0	2018.03.12	NEW	x.XXX ±0.15	APPROVE	DATE	SHEET	1/2	
REV	DATE	MODIFICATION DESCRIPTION	CHANGE	DIM	TOL	PROJ.		Customer NO.

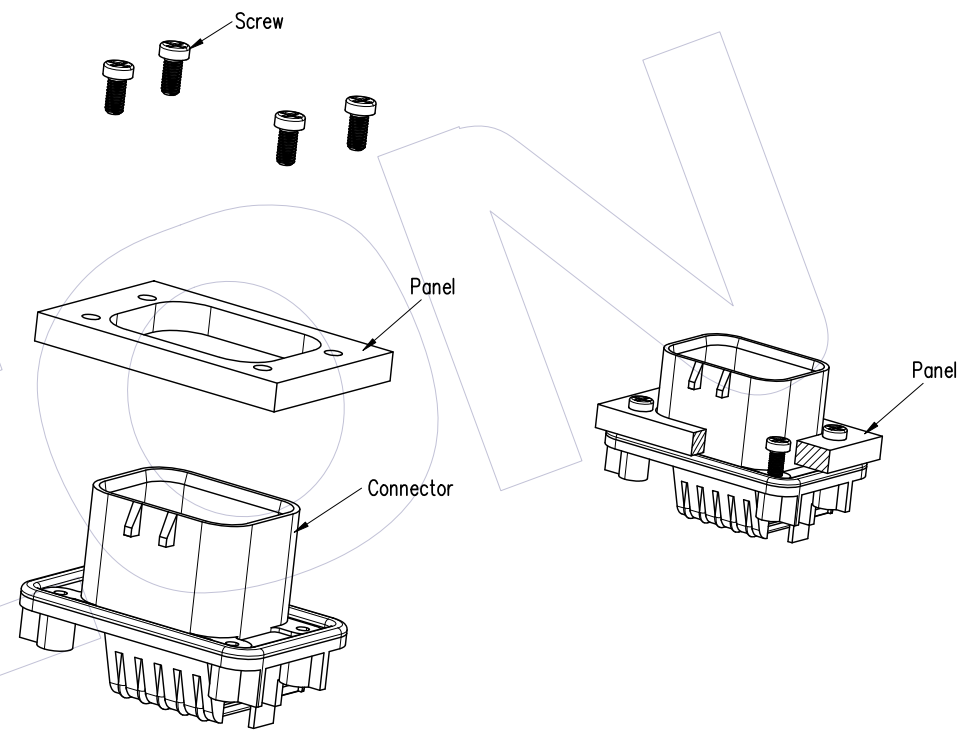
**WCON**  
 Http: www.wcon.com  
 WCON-Dongguan Tel: +86 769 85358920  
 WCON-Kunshan Tel: +86 512 57468408  
 Fax: +86 769 85358915  
 Fax: +86 512 57468468  
 E-mail: sales@wcon.com  
 E-mail: salesks@wcon.com



RECOMMENDED MOUNTING HOLE LAYOUT FOR 5.0 MAX THICK PANEL (14PIN)



OPTIONAL CONSTRUCTION IF PANEL THICKNESS IS GREATER THAN 2.0



Explosion View

A5	2019.12.03	Modify	OPERATION	DRAW	DATE	SCALE	1:1	PART NO. 74040-3MR014ABXXNA1(WAAS)
A4	2019.04.16	Modify	x.x ±0.40	XSR	2019.12.03	UNIT	mm	
A3	2018.11.23	Modify	x.xx ±0.25	CHECK	DATE	SIZE	A4	TITLE: 车用防水型14P插座90度
A0	2018.03.12	NEW	x.xxx ±0.15	APPROVE	DATE	SHEET	2/2	Customer NO.
REV	DATE	MODIFICATION DESCRIPTION	CHANGE	DIM	TOL	PROJ.	⌀	

**WCON**  
 Http: www.wcon.com  
 WCON-Dongguan Tel: +86 769 85358920  
 WCON-Kunshan Tel: +86 512 57468408  
 Fax: +86 769 85358915 Fax: +86 512 57468468  
 E-mail: sales@wcon.com E-mail: salesks@wcon.com