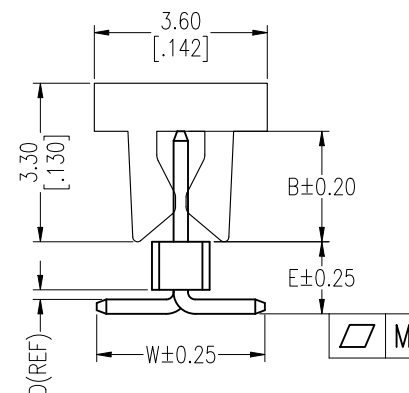
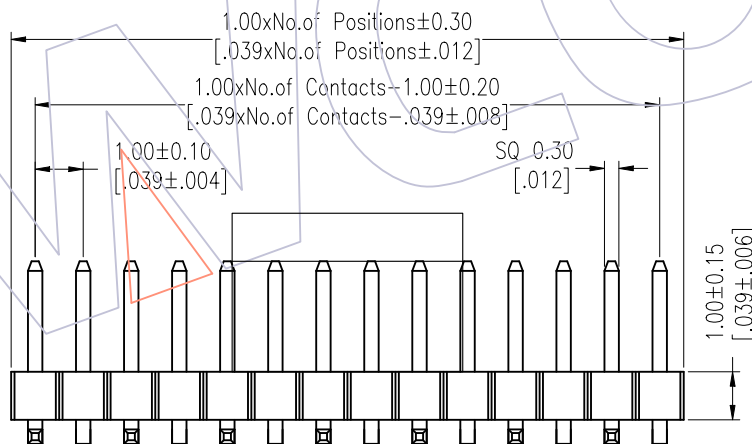
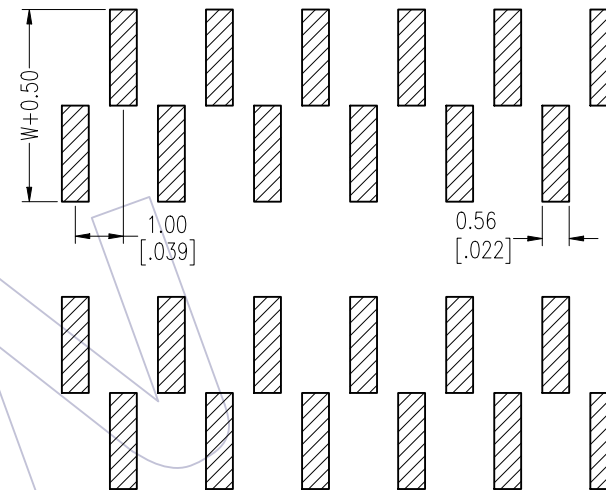
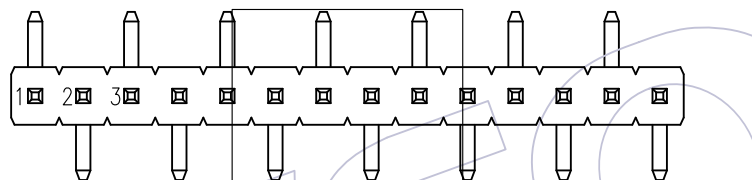
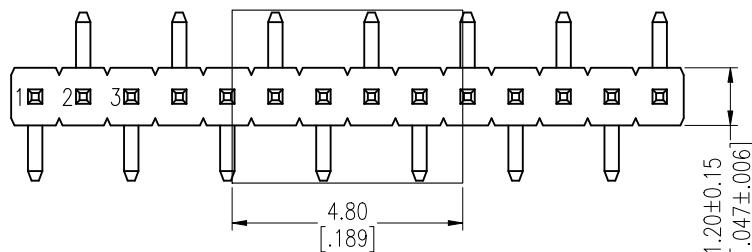


HSF

NOTES:
 Rated Current:0.75AMP.
 Contact Resistance:30mΩ Max.
 Withstand Voltage:500V AC/DC
 Insulation Resistance:1000MΩ Min.
 Operation Temperature:-40°C to +105°C

Contact Material:Brass
 Contact Plating:Au Over Ni
 Insulator Material:PA9T+33%G.F UL94V-0 BK

Recommended P.C.B Layout (Top Side)
 (PCB BOARD TOLERANCE±0.05)



Ordering Information

1510-11 XX XX M 048 C R XX

No. of Pins: 02~50
 Contact Plating: G0=Gold Flash, G3=10u"Gold, G4=15u"Gold, G5=30u"Gold, SN=Tin, SM=Matte Tin
 Pin Length: L=B+D+1.0+ $\frac{W}{2}$, Standard:048=4.8
 Insulator: C=PA9T
 Series No.: 01~99
 Packing: A=Tray, R=Tape&Reel+CAP

Item	Pin Length	W	E	B
Standard	4.8	3.50	1.50	1.90
Alternate				

PIN(PerRow)	2-15P	16-30P	31-50P
M	0.10	0.15	0.18

REV	DATE	MODIFICATION DESCRIPTION	CHANGE	OPERATION	DATE	SCALE	Fit	PART NO.
A3	2023/02/01	Add Flatness	△3	Du Ying	2023/02/01	UNIT	mm [inch]	1510-11XXXXMXXXCXXX △A
A2	2018/01/05	MODIFY PART NO.	△2	William Chen	DATE	SIZE	A4	TITLE: 1.00 Pin Header, SINGLE ROW, SMT, H=1.0
A1	2012/11/20	Modify the material	△1	-----	DATE	SHEET	1/1	Customer NO.
A0	2012/03/01	NEW	-----	-----	DATE	PROJ.		
				Angle ± 3'				
				DIM TOL				

WCON
 Http: www.wcon.com
 WCON-Dongguan Tel: +86 769 85358920
 WCON-Kunshan Tel: +86 512 57468408
 Fax: +86 769 85358915
 Fax: +86 512 57468468
 E-mail: sales@wcon.com
 E-mail: salesks@wcon.com